



T50

OPERATING
TABLE

Quality & performance
you can trust, completely



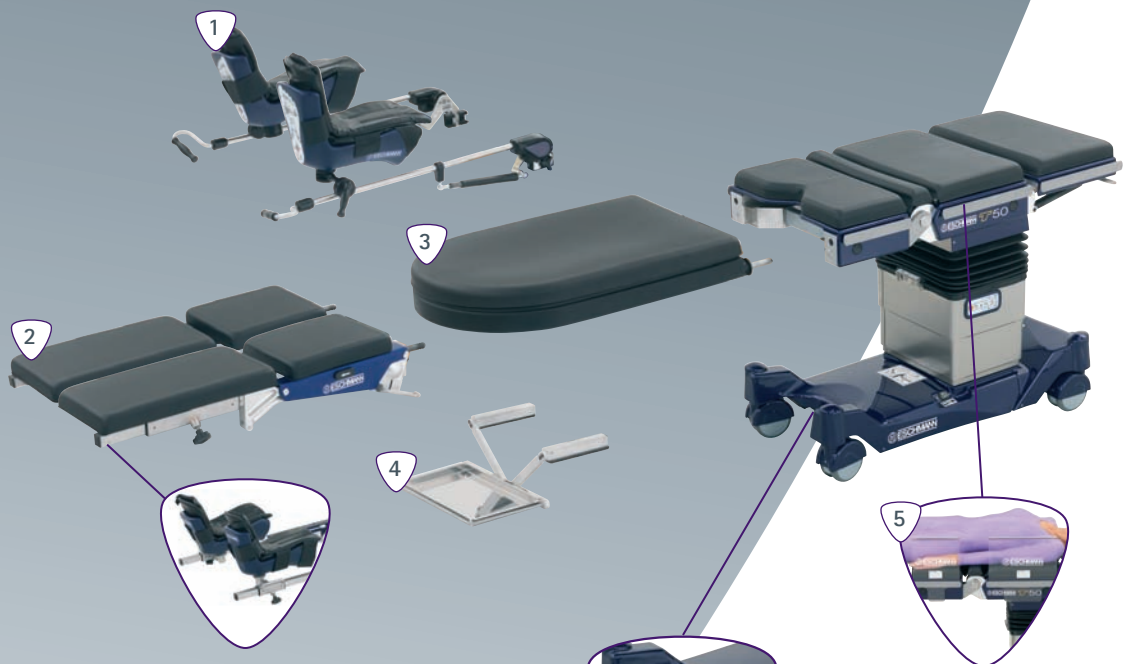
ESCHMANN

THE T50 FROM ESCHMANN

In terms of quality and reliability Eschmann operating tables are acknowledged as being second to none, the very best in medical engineering technology for over 100 years – our assurance for your complete confidence.

The T50 operating table from Eschmann has been developed specifically for Obstetrics and Gynaecology, and offers a level of performance and functionality that sets a new standard of excellence for healthcare professionals around the world. With several patents pending, features include:

- Shorter table top (1083mm) reduces manual handling
- Powered back rest allows for 'Assisted Delivery' in a single movement
- Maximum patient weight of 300kg in lithotomy position
- Weight assisted articulated leg sections
- Auto level function with increased speed for emergency procedures
- New accessories include instrument tray and side supports



1. Direct placement legholders - 81-272-10
2. Articulated leg sections with boots & pads - 81-620-03
3. Light weight leg section kit - TA-030-1055
4. T series instrument tray - 81-345-06
5. Short trunk side support - 81-368-57
Backrest side support - 81-368-66

Optional accessory attachments

Base cut out

The cut out in the table base allows improved surgical access and positioning of a 'kick bowl'.



T50

THE T50 FOR OBSTETRICS AND GYNAECOLOGY

1. Positioned over backrest hinge ready for regional anaesthesia block

Table at minimum height to allow patient to sit centrally on to the backrest hinge.



2. Supine position with articulated leg sections (81-620-03) in preparation for lithotomy positioning

3. Supine position using lightweight leg section (TA-030-1055) and direct placement leg holders (81-272-10) as an alternative in preparation for lithotomy positioning



4. Lithotomy position with direct placement leg holders (81-272-10)

Patients perineum positioned over the perineal cutout to facilitate easy transition to lithotomy position with out any patient movement relative to table top.



1. Lithotomy position using articulated legs and instrument tray (81-345-06)

Instrument tray positioned into x-ray cassette tunnel.

1



2. Assisted delivery position using articulated legs, with back rest raised

For patients bearing down as aid for assisted instrumental deliveries (e.g. 'ventouse' or forceps).

2



3. Lithotomy position with articulated leg sections

Table top is placed into Trendelenburg, giving clear visualisation for Post Partum tear.

4. Supine position with side supports

Left tilt applied to table top, with side supports for emergency Caesarean section to avoid pressure on the Vena Cava.

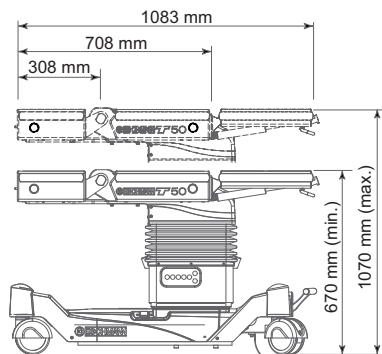
3



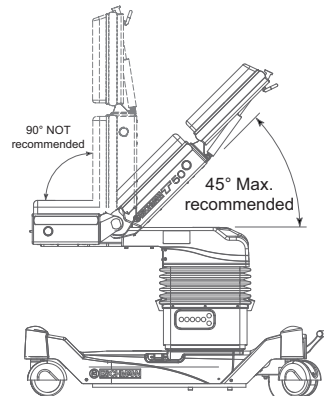
4



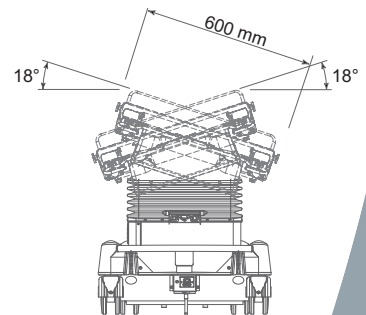
T50 TABLE DIMENSIONS



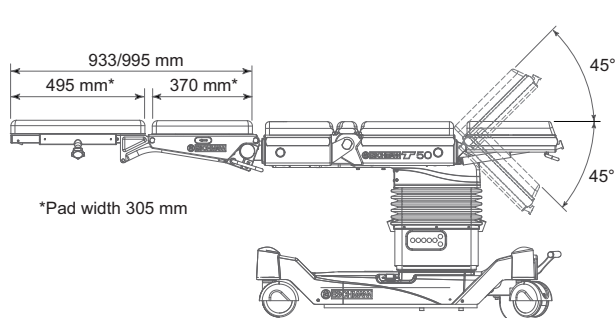
Length and height dimensions



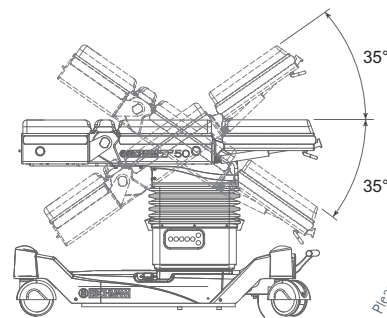
Backrest movements



Lateral tilt movements



Articulating leg dimensions and head flap movements



Trendelenburg and reverse Trendelenburg movements

Please note - all measurements are nominal

General Specification

- Powered operating table, suitable for use in obstetrics and gynaecology
- Maximum patient weight of 300Kg in supine and lithotomy position
- Large wheels for easy table positioning and complete 360° mobility
- Covers are made of scratch and impact resistant ABS
- Base cover cut-out allows improved surgical access for theatre staff
- One button control system for removal of head and infill sections
- Single movement for 'Assisted Delivery' position
- Full length radiolucent top with integral X-ray cassette tunnel
- Seamless, "Velcro" free mattresses with unique anti-static fixing
- Robust and intuitive corded handset
- Battery status indicators on handset and table base
- Weight assisted articulated leg sections
- Unique design, patents pending



T50

T50 GENERAL INFORMATION

Ordering Information

80-900-55	T50 operating table with articulated leg sections, 50mm mattress, corded handset, UK mains cable and UK sidebars	81-272-10	Direct placement leg holders
80-900-19	T50 operating table with 50mm mattress, corded handset, UK mains cable & UK sidebars (without leg sections)	81-269-07	Bariatric Direct placement leg holders
81-620-03	Pair of articulated legs T series operating tables complete with pads and boots	TA-030-5161	Infill section (without mattress)
TA-030-1055	Light weight leg section kit comprising of light weight leg section and 25mm mattress set.	TA-050-1129	50mm mattress for infill section
		81-368-66	Side support for T50 (upper trunk)
		81-368-57	Side support for T50 (lower trunk)
		81-345-06	T series instrument tray

Please contact your local Eschmann representative for further details and alternative sidebar variants that are available.

Service

Eschmann products are supported by a worldwide network of fully trained engineers, offering high quality Eschmann spare parts. For further information on the range of Service Contracts available, please contact your local Eschmann representative.



In the UK all Eschmann operating tables are fully supported by our team of professional engineers.

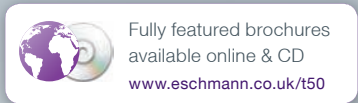
Shipping

Net Weight 195kg

Gross Weight 290kg

Export Case dimensions 168cm x 102cm x 101cm

Further Information



Imagery in this publication has been taken to illustrate the operating table movements and as such does not constitute a guide to correct patient positioning.

All T50⁺ operating tables are CE marked in compliance with the Medical Device Directive 93/42/EEC



All products are latex free.

Dealer Information

Innovation. Technology. Confidence.



Eschmann Holdings Ltd, Peter Road, Lancing, West Sussex, BN15 8TJ.

The details given in this leaflet are correct at time of going to press. The 'Eschmann' name and logo, are trade marks of Eschmann Holdings Ltd. 'Eschmann Equipment' is a trading name of Eschmann Holdings Ltd.

Tel: +44 (0) 1903 753322

Fax: +44 (0) 1903 875789

www.eschmann.co.uk